

THIS DRAWING IS UNPUBLISHED. RELEASED FOR PUBLICATION ,1995  
 © COPYRIGHT 1995 BY AMP INCORPORATED, ALL RIGHTS RESERVED.

LOC		DIST		REVISIONS				
P	LTR	DESCRIPTION	ECN	DATE	DWN	APVD		
	0	RELEASED	FJ00-3551-95	1/NOV/'95	K.	S.M.		
	A	REVISED	FJ00-4744-96	30/MAY/'96	K.	Y.I.		
	B	REVISED	FJ00-0887-99	20/SEP/'99	M.	H.S.M.		
	B1	ADD P/N.	FJ00-1259-00	11/OCT/'00	D.	M.S.M.		
	C	REVISED	FJ00-1151-01	21/JUN/'01	T.	S.S.M.		
	C1	REVISED	FJ00-2379-02	14/NOV/'02	T.	S.S.M.		

注記

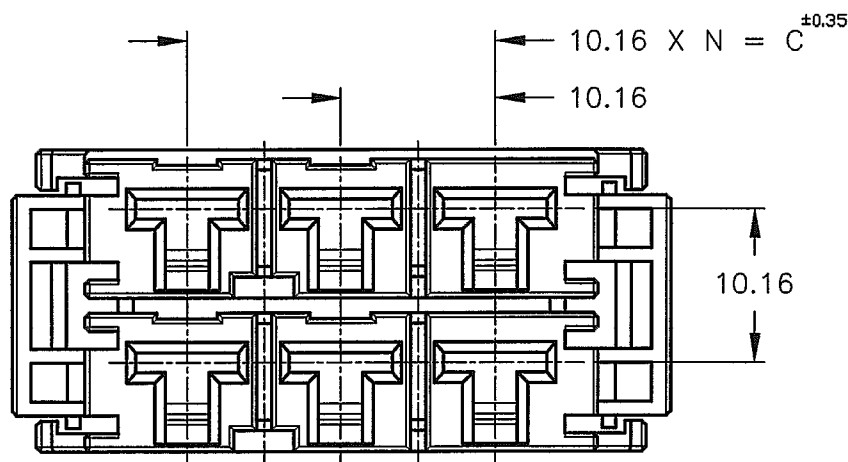
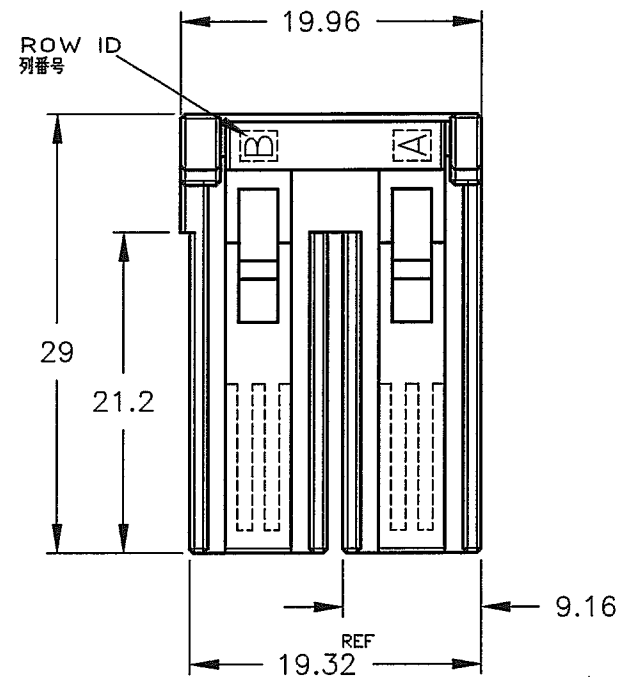
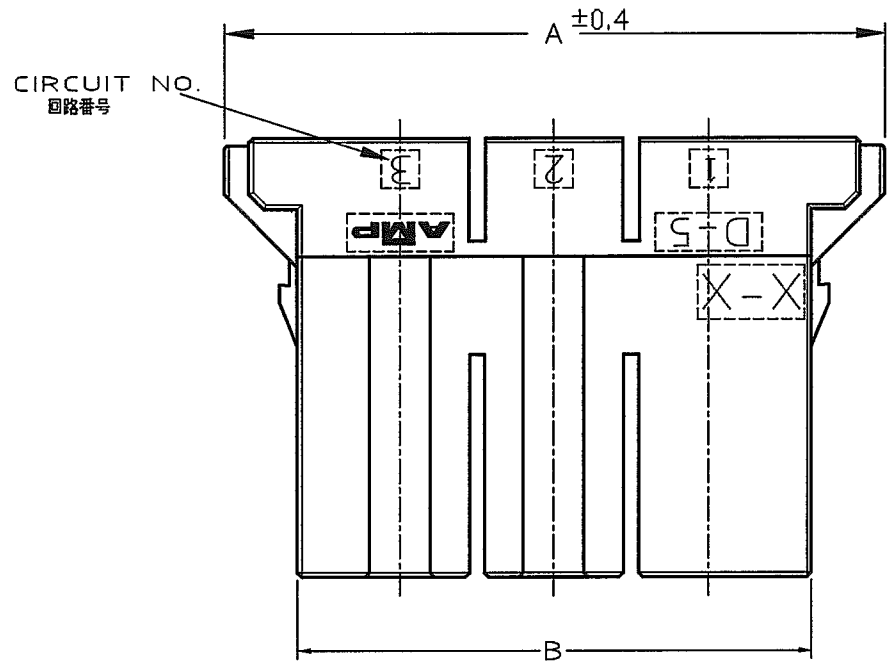
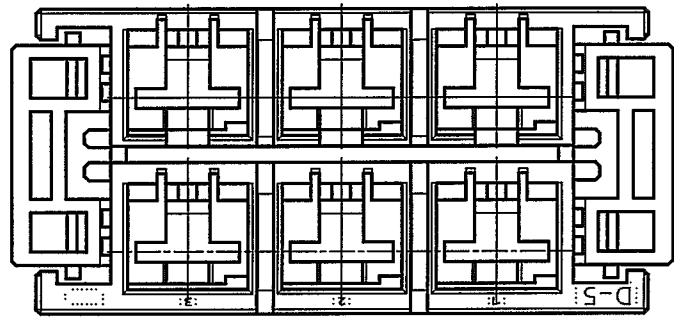
① 材料:ハウジング:ガラス入り熱可塑性  
 ポリエステル樹脂 (94V-0),色:黒

② ハウジング全面にテフロン塗装のこと

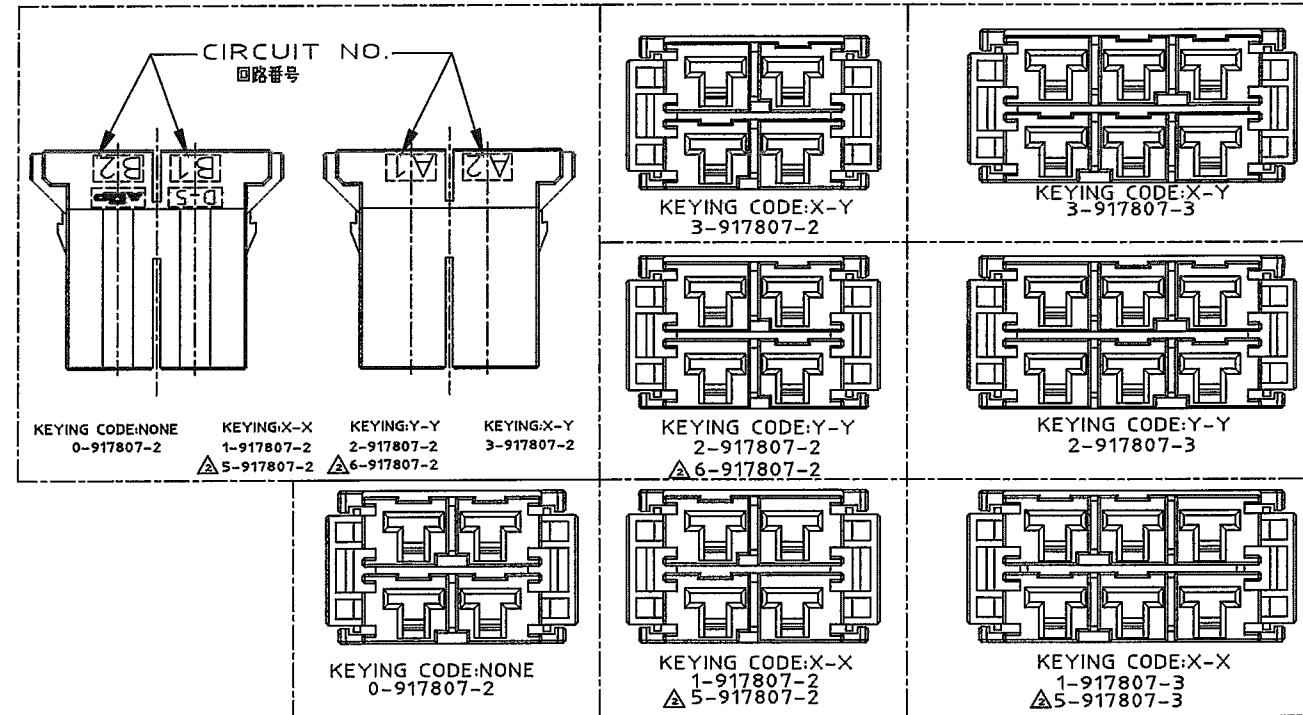
NOTES

① MATERIAL:HOUSING:GLASS FILED THERMO PLASTIC  
 ,POLYESTER(94V-0),COLOR:BLACK

② TO COAT ALL SURFACE OF HOUSING WITH TEFLON



KEYING CODE:X-X  
 1-917807-3  
 ⑤ 5-917807-3



⑤										5-917807-3
										3-917807-3
										2-917807-3
		20.32	33.92	43.52	2	6				1-917807-3
⑤										6-917807-2
⑤										5-917807-2
										3-917807-2
										2-917807-2
										1-917807-2
		10.16	23.76	33.36	1	4				0-917807-2
FINISH	C	B	A	N	POS					P/N

THIS DRAWING IS A CONTROLLED DOCUMENT FOR AMP INCORPORATED. IT IS SUBJECT TO CHANGE AND THE CONTROLLING ENGINEERING ORGANIZATION SHOULD BE CONTACTED FOR THE LATEST REVISION.

DWN K.IKEDA 31/OCT/'95  
 CHK Y.ISHIKAWA 31/OCT/'95  
 APVD S.MANABE 1/NOV/'95

**tyco Electronics** Tyco Electronics AMP K.K. Kawasaki, Japan

NAME 2列 リセ ハウジング  
 製品規格 DOUBLE ROW REC HSG  
 取付適用規格 <DYNAMIC D-5200 M>

SIZE A3 CAGE CODE 00779 DRAWING NO 917807

WEIGHT T1

MATERIAL ⑤ FINISH ⑤

CUSTOMER DRAWING SCALE 2-1 SHEET 1 OF 1 REV C1